



Horizon™

● Horizon™ Rectangle
in Acros, Flatiron and Savoye

● Exeter University,
United Kingdom



Give your ceiling a silver lining

Horizon™ is a range of floating acoustic panels that create a cloud-like illusion when suspended. With clean lines and simple, two-dimensional geometric forms, Horizon elegantly holds space as both a design feature and a high-performance acoustic absorber.

Made from 100% polyester fibre, Horizon panels are lightweight yet strong; easily installed on ceilings and walls without the need for clear space, as the channels, clips, and suspension wires require limited contact. The adjustable suspension system allows you to set the hanging height with ease, giving you the ability to target multiple frequency levels within the space. Horizon can also be clipped to walls as a removable acoustic panel, without the need for adhesives.

To find out more about Horizon
visit www.autexglobal.com



Features and benefits

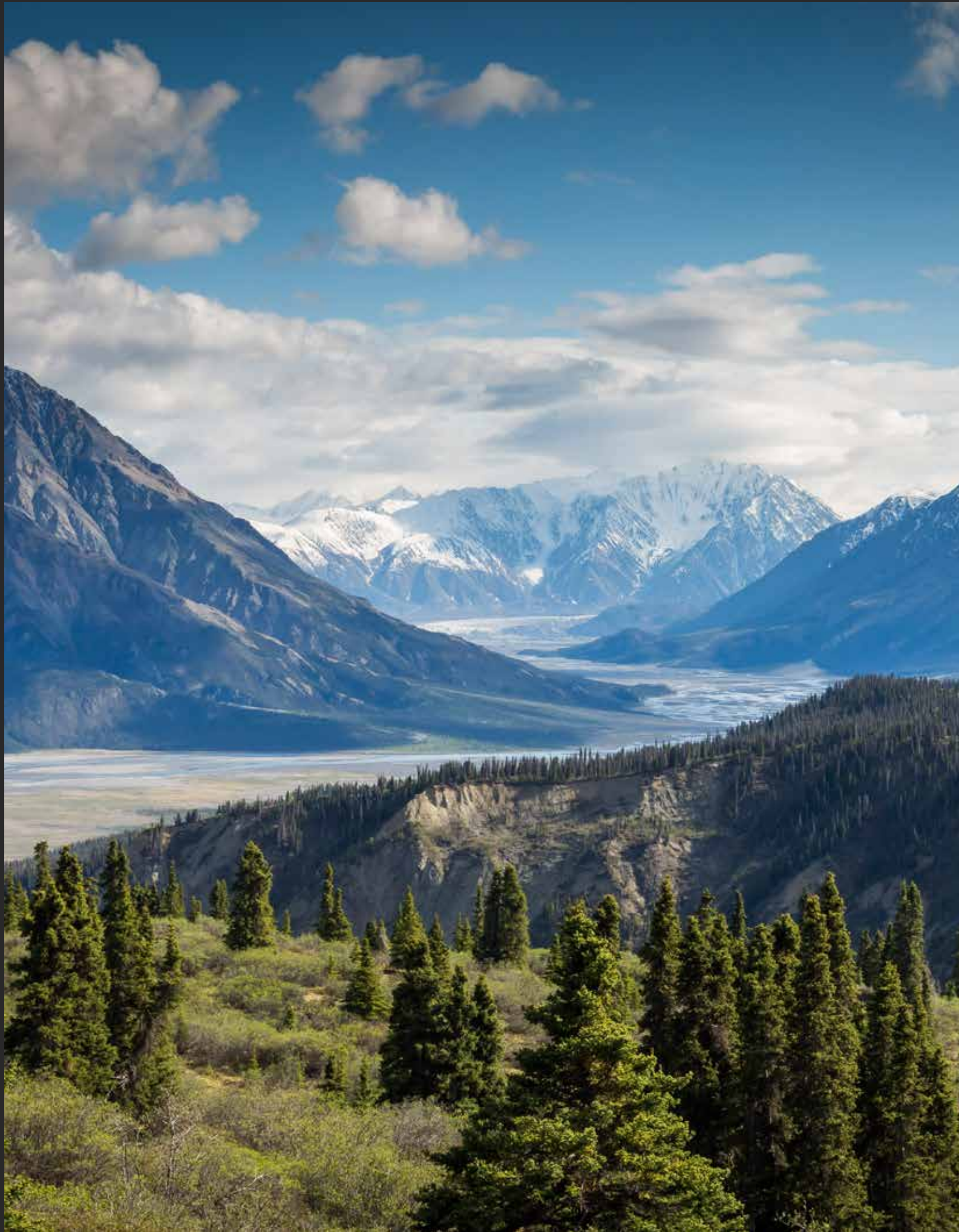
- Delivers excellent acoustic performance
- Suitable for wall and ceiling applications
- Low VOC—beneficial for IEQ
- UV resistant qualities
- No formaldehyde, crystalline silica, or other carcinogens
- Easy to remove and clean
- Hides ceiling services
- Durable, providing long-term stability and performance

Applications

- Decorative and functional acoustic treatment for interior spaces

Panel Fixing System Patent

US Patent 10,113,312 | AU Patent 2016250499 |
GB Patent 2,545,789 | NZ Patent app 725770



The Autex Acoustics® sustainability pillars

Our sustainability strategy provides the foundation and direction for our sustainability mission and goals. Our sustainability strategy is split into five pillars.



Climate change - We aim to maintain our position as a net-zero carbon organisation and offer carbon neutral products. Autex Acoustics began carbon accounting in 2017 and we continue to measure and monitor our GHG emissions which help inform carbon reduction initiatives. Remaining carbon emissions are mitigated using certified carbon credits.



Purpose and profit - Our goal is to positively impact our environment, our people, and the next generation. Autex Acoustics has committed a fund to support restorative social and environmental programmes.



Closing the loop - We aim to increase the uptake of product stewardship in the construction industry and expand our product takeback schemes to help build a more circular economy. We avoid waste through reducing material inputs to our products and designing for reuse/disassembly. We reuse waste from our manufacturing operations to make more product. We incorporate recycled PET waste into new product and use recyclable cardboard as packaging.



Wellbeing - We aim to ensure all current and future Autex Acoustics products avoid harmful chemicals. Our products are simple and designed without any toxic ingredients to support human and environmental health. Autex Acoustics products have a profound impact on the acoustic environment of building interiors and wellbeing of occupants.



Supply chain - We aim to eliminate any unethical practices in our supply chain to encourage good working conditions throughout our supplier network. Autex Acoustics carefully selects the best suppliers to ensure we deliver quality products that have a responsible social and environmental track record. As an organisation that relies on a global supply chain, we recognise the pressing—and ongoing—need to eliminate unethical practices within our own supply chain, particularly with regards to modern slavery.

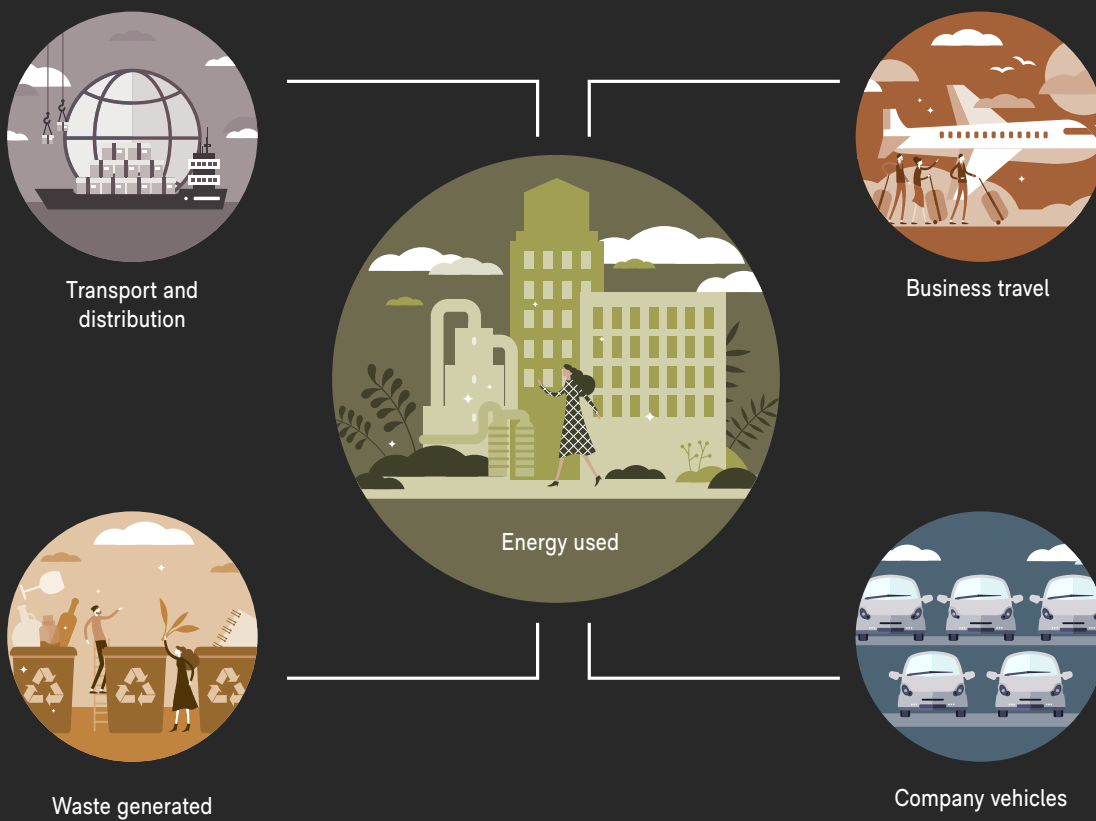
How we're fighting climate change

The climate crisis is the biggest issue of our generation. As a product designer and manufacturer, we have an opportunity to help improve the carbon impact of our industry.

Our operational carbon emissions

We are a carbon neutral business. We actively monitor the carbon emissions of our entire operation to better understand our carbon footprint and how we can further reduce emissions. We have an internal strategy to reduce our carbon emissions and have successfully delivered a number of carbon reduction initiatives within our operations. Any carbon emissions that are currently unavoidable are offset through certified carbon credits. We have a commitment to purchase only verified carbon credits that are retired on robust registers to ensure we are driving positive change.

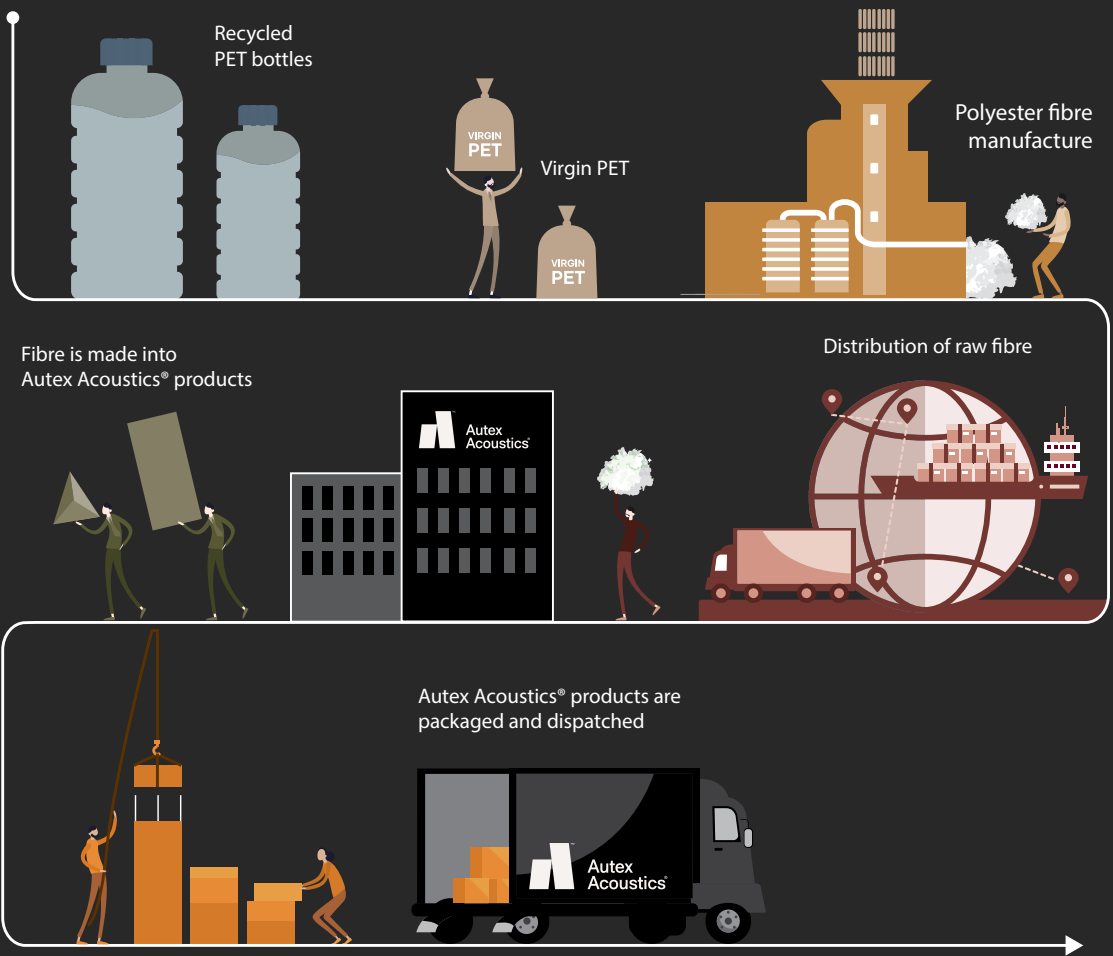
Key business activities contributing to our operational emissions

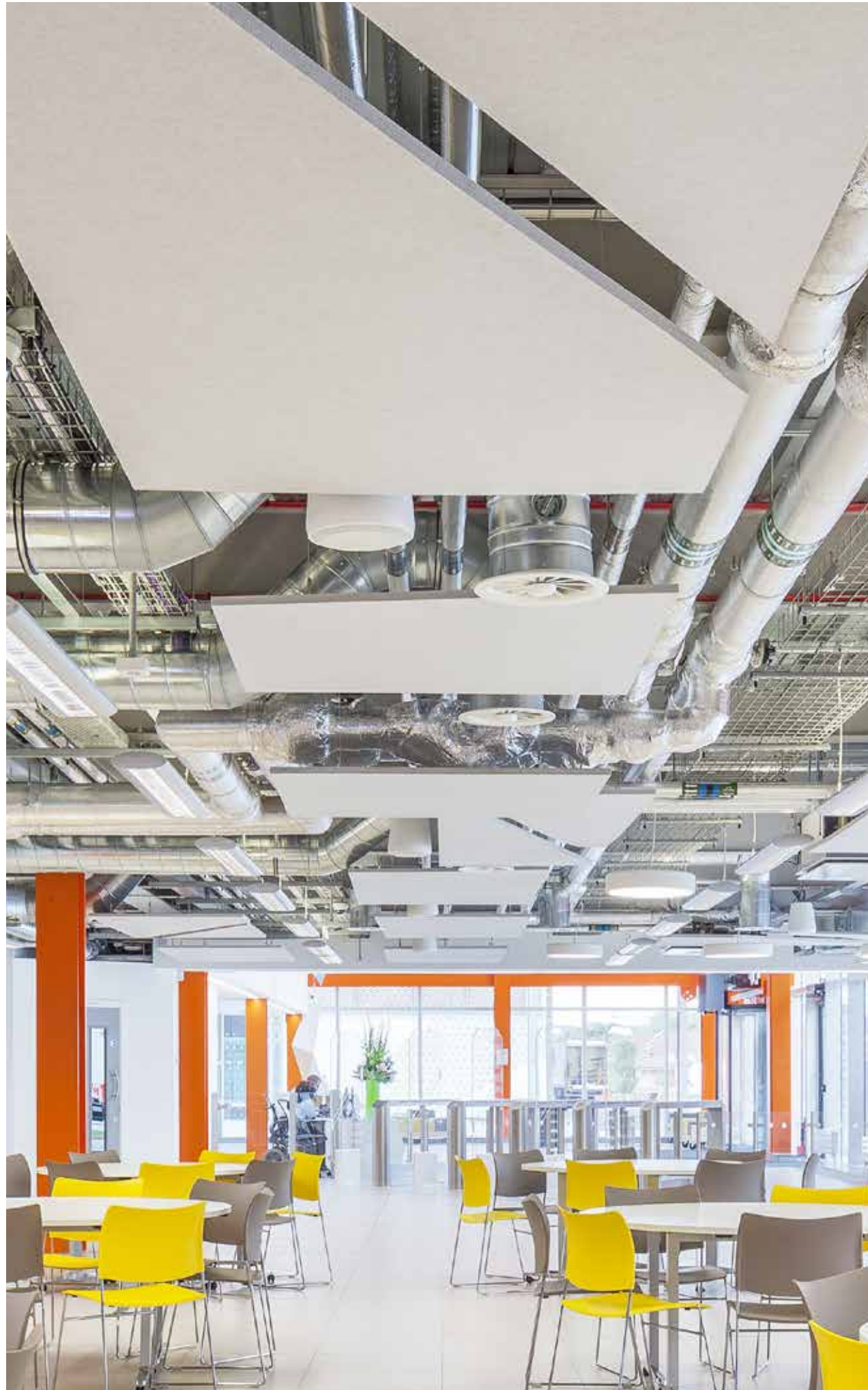


Embodied carbon of our products

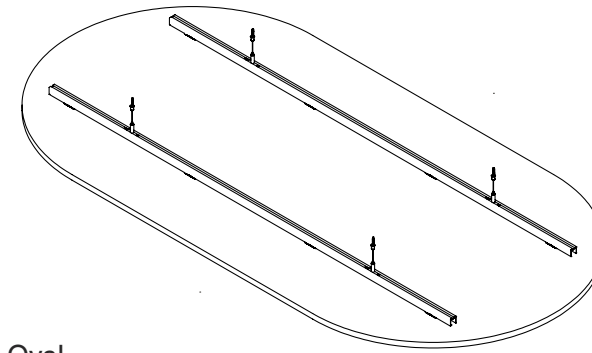
Our products are carbon neutral, and we are the first business in our industry to include the cost of carbon in our products. We consider this an investment in present and future generations, and simply a cost of doing business. We calculate the embodied carbon of our products, from the raw material to the manufacturing gate, using industry recognised ISO standards. We have reduced the carbon footprint of our products through smart design and efficient manufacturing. While the embodied carbon of our products is low, they still do have a carbon impact. We mitigate this through our Carbon Neutral Product Initiative by offsetting the equivalent emissions using certified carbon credits. These carbon credits are generated from projects focused on renewable energy, fuel switching and reforestation around the world.

Key activities contributing to the embodied carbon of our products

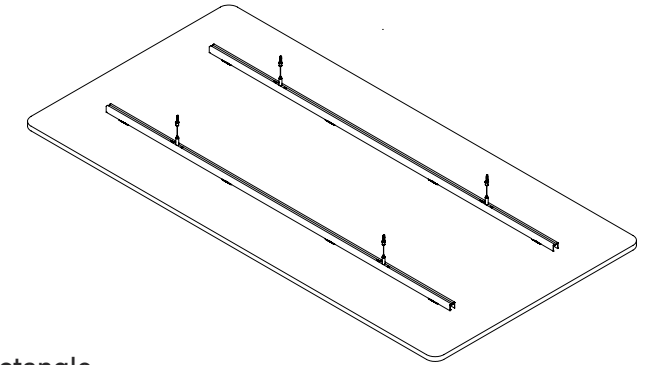




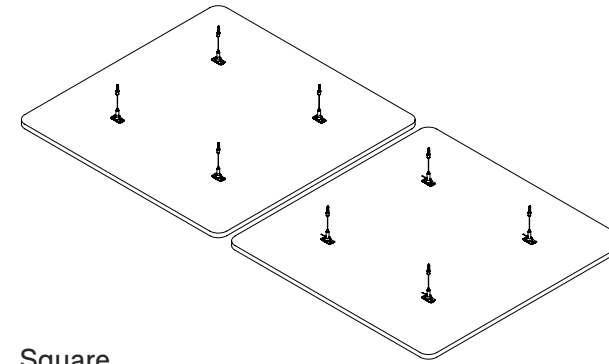
Design options



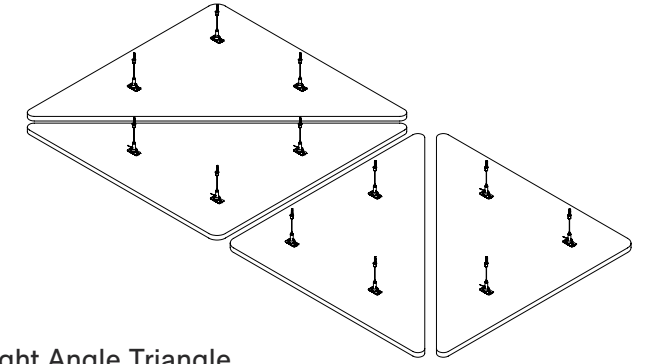
Oval



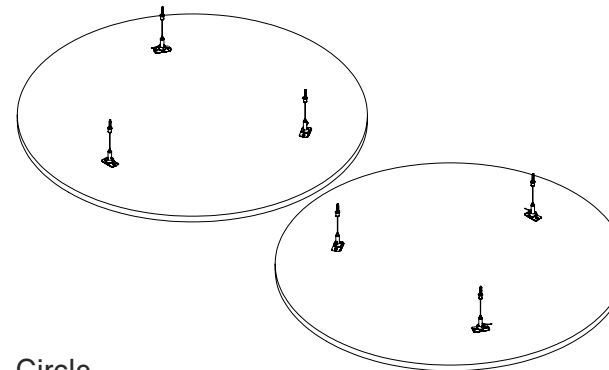
Rectangle



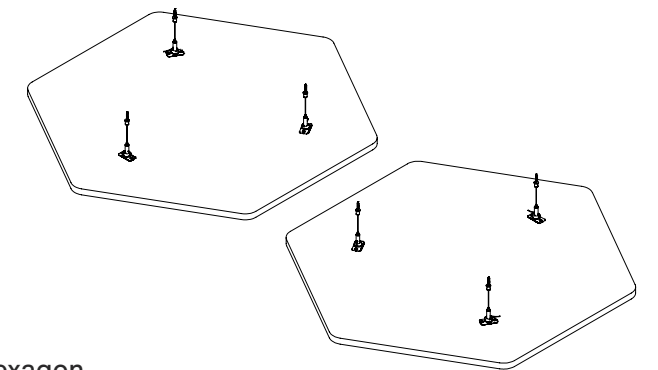
Square



Right Angle Triangle



Circle



Hexagon



● Autex Acoustics, New Zealand

● Horizon in Falling Water



Customisation

As creators and innovators, we understand your pursuit of the bold and unusual, the rare and exceptional—the brave, colour-outside-the-lines ideas. Every space you design is unique, therefore, every element—from floor to ceiling—should be tailored to fit. Our customisation tools offer unique avenues for creative expression to help you achieve your vision—all that's left to explore are the boundaries of your imagination.

Our customisation capabilities include Print, Etch™, Groove, Precision Cut, Mould and Press, and Peel 'n' Stick.



● Custom Horizon in Petronas, Ironbank and Pavilion

● Designgroup Stapleton Elliot, New Zealand



Environmental certifications

Certifying your green building

Autex Acoustics products meet criteria for WELL, LEED, Green Star, and BREEAM building rating systems, helping you achieve certification for your project. For support and guidance on available rating system points please visit www.autexglobal.com, or speak with your Autex Acoustics account manager.



Environmental Product Declaration

An Environmental Product Declaration (EPD) is a document that communicates information about the life-cycle environmental impact of a product, including embodied carbon. Our EPDs are created and verified in accordance with ISO 14025 and ISO 15804, used for construction products and services.



GreenRate – Level A

GreenRate is a multi-attribute environmental certification that scores products on a range of environmental, health, and social measures. Autex Acoustics products are certified to achieve GreenRate Level A. Level A is the highest GreenRate level and demonstrates the highest level of product sustainability.



Declare – International Living Future Institute

The ingredients in our products have been reviewed against the Living Future Challenge Red List and achieve a Third-Party Verified 'Red List Free' status.



Products achieve the highest 'LBC Red List Free' status when:

- Ingredients are 100% disclosed and are not found in the Red List
- Products are shown to meet VOC emissions limits

We assure the accuracy of our certifications by having our Declare labels independently verified by a third party expert.



Health Product Declaration

A Health Product Declaration (HPD) is a document that reports the ingredients of a product and the health effects associated with these ingredients. A Health Product Declaration has been generated for each of our products.



CDPH Standard

CDPH Standard Method (CA Section 01350) is a widely used standard to evaluate building products for low volatile organic chemicals (VOC) and formaldehyde emissions. All Autex Acoustics products meet the limits set by CDPH and the LEED building rating scheme.



ISO Certifications

ISO 14001 – Environmental Management

Autex Acoustics manufactures under environmental management processes that are ISO certified. This certification gives assurance that we manage any environmental impacts within our operations.



ISO 9001 – Quality Management

Autex Acoustics has a strict quality management system that is ISO certified. Robust quality processes from raw material through to product release help ensure our products meet expectations.



ISO 45001 – Health and Safety Management

Autex Acoustics manufacturing operations have an ISO 45001 certified Health and Safety Management System to ensure the safety and wellbeing of our people.

● **Autex Industries Ltd**

702-718 Rosebank Rd
Private Bag 19988
Avondale 1746, Auckland
New Zealand
Freephone 0800 428 839
Phone +64 9 828 9179
Fax +64 9 828 5810

● **Autex Australia Pty Ltd**

166 Bamfield Road
PO Box 5099
West Heidelberg, Melbourne
VIC 3081, Australia
Freephone 1800 678 160
Phone +61 3 9457 6700
Fax +61 3 9457 1020

● **Autex Acoustics Ltd**

Unit J4, Lowfields Way,
Lowfields Business Park,
Elland, West Yorkshire
Hx5 9Da
United Kingdom
Phone +44 0 1422418899

● **Autex Acoustics LLC**

1630 Dan Kipper Dr,
Riverside, CA 92507
United States of America
Phone +1 424 203 1813

An ISO 9001, ISO 14001 and ISO 45001 certified company. The brand names and logos mentioned herein are registered or unregistered trademarks either owned or used under license by Autex Industries Limited or other members of the Autex Group. The contents of this document are protected by Copyright 2021 Autex Industries Ltd. All Rights Reserved. It is the user's responsibility to determine if the product and information presented in this document is suitable for the intended application by engaging a suitably qualified consultant. The information contained in this document is correct to the best of our knowledge at the date of its publication. To verify that this document is the most current publication please check our website or contact your Autex account manager.