

---

# BuzziHub

## Product Specification Sheet

---

This document contains technical information about the BuzziHub

---



[www.buzzi.space](http://www.buzzi.space)



## Temporary work or meeting space

BuzziHub is a space where people can easily come together and share information. It has been designed to become a central point in the social life of an office. It can serve as an informal meeting room for temporary or full time employees.

BuzziHub has been designed in order to make you feel at home. It is a warm and comfortable environment made to facilitate communication and improve personal wellbeing.

Design by Alian Gilles

---

## General

- 📍 Hub, Hub Single, Hub Side Left, Hub Side Right  
Pattern: Inside: 3D Diamond | Rib  
Outside: Flat
- 🌲 Structure: Poplar plywood: 18 mm | 0.71"  
Cover: Inside: acoustic foam covered with fabric  
Outside: layer of felt covered with Fabric, Trevira CS+, Memory 2
- 🔧 Flat Packed  
Cushion, Armrest (optional)
- ⋯ Bicolor (optional)  
Light (optional)

---

## Acoustics



Absorption



Diffusion



Attenuation



Mid tone



High tone

---

## Certifications



---

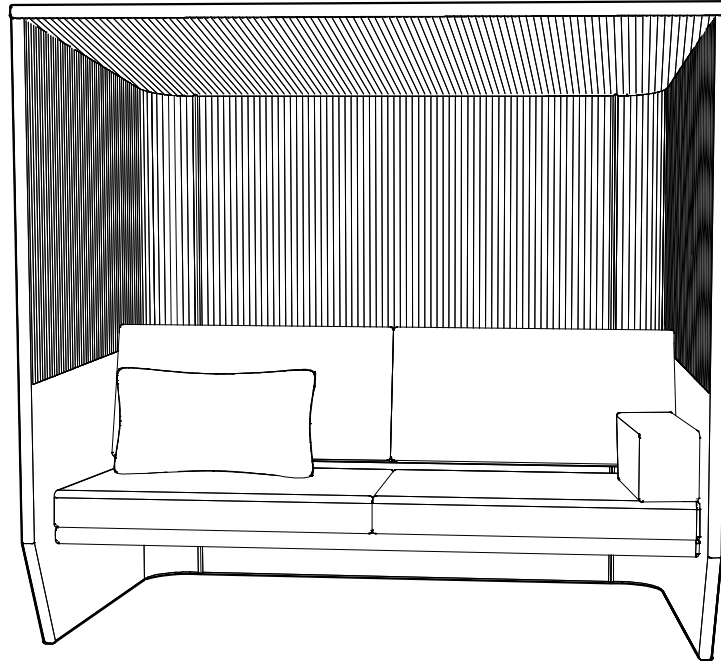
## Content

Configurations	3
Options	6
Fabrics	8
Dimensions	11

# Configurations

---

## BuzziHub



### Hub



Pattern: Inside: 3D Diamond | Rib  
Outside: Flat

Core: Poplar plywood: 18 mm | 0.71"

Cover: Inside: acoustic foam covered with fabric



Outside: layer of felt covered with Fabric, \*Trevira CS+, Memory 2

Cushion, Armrest: upholstered in Fabric, \*Trevira CS+, Revive 1, Clara 2, Remix 3, Hero, Tonus 4, Memory 2

Height: 188 cm | 74.02"



Width: 201 cm | 79.13"

Depth: 117 cm | 46.06"



130 kg | 286.60 lbs

Cushion, Armrest (optional)



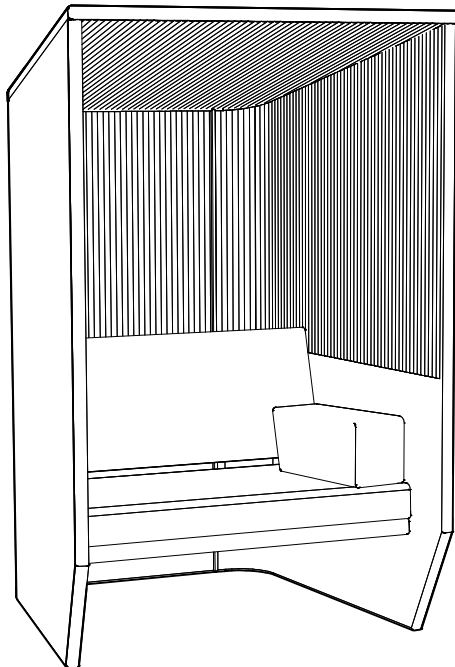
Bicolor (optional)

Light (optional)

\*Only available in Trevira CS+, not in regular CS.

---

## BuzziHub Single



### Hub Single



Pattern: Inside: 3D Diamond | Rib  
Outside: Flat

Core: Poplar plywood: 18 mm | 0.71"

Cover: Inside: acoustic foam covered with fabric



Outside: layer felt covered with Fabric, \*Trevira CS+, Memory 2

Cushion, Armrest: upholstered in Fabric, \*Trevira CS+, Revive 1, Clara 2, Remix 3,  
Hero, Tonus 4, Memory 2



Height: 188 cm | 74.02"

Width: 119 cm | 46.85"

Depth: 117 cm | 46.06"



110 kg | 242.51 lbs

Cushion, Armrest (optional)



Bicolor (optional)

Light (optional)

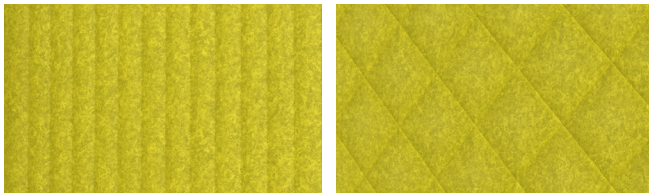
\*Only available in Trevira CS+, not in regular CS.



# Options

---

## Pattern inside



Pattern inside: 3D Rib or Diamond

## LED Light (optional)



Optional LED light located at the back of the Bench.  
Specifications p.7

## Cushion (optional)



Optional cushion  
W 65 cm | 25.59"  
L 35 cm | 17.78"

## Armrest (optional)



Optional armrest  
W 17,5 cm | 6.89"  
L 52 cm | 20.47"  
H 21 cm | 8.27"

---

## Bicolor (optional)

Optional bicolor:  
1 color outside ,1 color inside including bench



# Option BackLight

## General

- 💡 Connectable integrated LED tube
- 🌲 Material: Aluminum body, Clear PC cover
- LED: SMD 3014
- 💡 Color temperature: 3000 Kelvin
- Input Voltage / Frequency: 100 - 277 V 50/60Hz



---

## Certifications

cULus Listed E471267 or ETL Certified  
CE

---

## Specifications per element

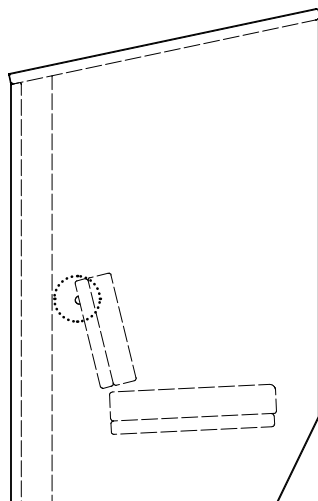
Wattage: 7W / element  
Lumen: 700 ±10% / element  
Length: 55,5 cm - 21.85" / element  
1 On-Off switch / element

---

## Accessories

Power cable: White  
4 m – 157.48"  
Type B Plug (US, ... ), Type G Plug (UK, ...) or Schuko Plug (BE, NL,...)

Mounting clips  
Connector accessories

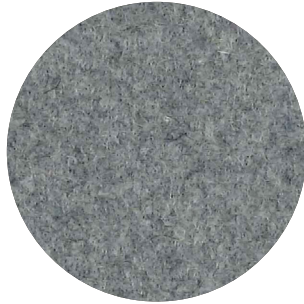


# Fabrics

Panels | Bench available in: Fabric, Trevira CS+ or Memory 2

Cushion, Armrest available in: Fabric, Trevira CS+, Revive 1, Clara 2, Remix 3, Hero, Tonus 4, Memory 2

## Fabric



**Category A**

**Composition** 70% Recycled Wool, 25% Recycled Polyacryl,  
5% Recycled Other Fabrics

**Weight** 405 g/m<sup>2</sup> | 11.94 oz/yd<sup>2</sup>

**Abrasion resistance** 40.000 Martindale, 50,000 Wyzenbeek

**Flammability** EU: EN 1021.1/2006 | BS EN 1021.1/2006 (cigarette).  
EN 1021.2/2006 | BS EN 1021.2/2006 (match)

USA: CAL TB 117 | ASTM E84 CLASS A

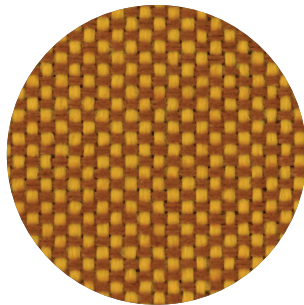
**Fastness to light** EU: 4 | USA 4

**Fastness to rubbing** EU: Wet 3-4 | Dry 4-5

**Fastness to crocking** USA: Wet 5 | Dry 5



## Trevira CS+



**Category A**

**Weight** 420 g/m<sup>2</sup> | 12.39 oz/yd<sup>2</sup>

**Composition** 100% Polyester, Trevira CS+

**Abrasion resistance** 100.000 Martindale, 90,000 Wyzenbeek

**Flammability** BS 5852 part II: CRIB 5 | BS 7176 Medium Hazard  
USA: CAL TB 117 | M1 | B1 | EN 1021/1-2 | C1 |  
IMO Res. A652 (16)

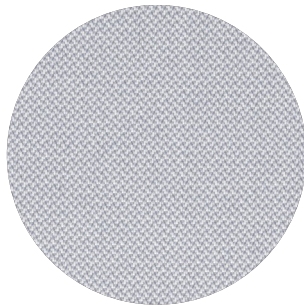
**Fastness to light** EU: 6 | USA 5

**Fastness to rubbing** EU: Wet 4-5 | Dry 4-5

**Fastness to crocking** USA: Wet 5 | Dry 5



## Revive 1



**Category A**

**Composition** 100% recycled polyester FR

**Weight** 430 g/lin.m

**Abrasion resistance** 60.000 Martindale rubs, EN ISO 12947

**Flammability** EN 1021-1/2 | DIN 4102 B1 | Önorm B1/Q1  
UNI 9175 1IM | US Cal. Tech. Bull. 117  
IMO A.652 (16)

**Fastness to light** Note 5-7, ISO 105-B02

**Fastness to rubbing** (ISO) dry 5, wet 4-5

**Pilling** Note 4-5, EN ISO 12945

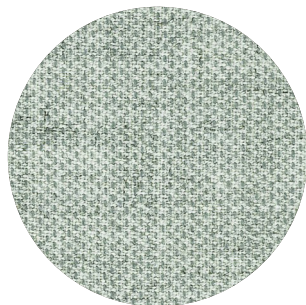


kvadrat



## Clara 2

kvadrat



**Category B**

**Composition** 92% new wool, 8% nylon

**Weight** 400 g/lin.m

**Abrasion resistance** 80.000 Martindale rubs, EN ISO 12947

**Flammability** EN 1021-1/2 | BS 5852, ignition source 2-3 | DIN 4102 B2  
NF D 60 013 | UNI 9175 11M | US Cal. Tech. Bull. 117, Sec. E  
NFPA 260 | IMO A.652(16)

**Fastness to light** Note 5-7, ISO 105-B02

**Fastness to rubbing** (ISO) dry 4-5, wet 4

**Pilling** Note 4, EN ISO 12945



## Remix 3

kvadrat



**Category B**

**Composition** 90% new wool, 10% nylon

**Weight** 415 g/lin.m

**Abrasion resistance** 100.000 Martindale rubs, EN ISO 12947

**Flammability** EN 1021-1/2 | BS 5852 part 1  
Önorm B1/Q1 | NF D 60 013 | UNI 9175, 11M  
AS/NZS 1530.3 | Cal. Tech. Bull. 117-2013  
NFPA 260 | IMO FTP Code 2010:Part 8

**Fastness to light** Note 5-7, ISO 105-B02

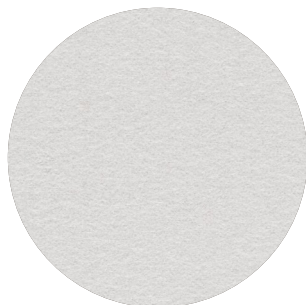
**Fastness to rubbing** (ISO) dry 4-5, wet 4

**Pilling** Note 4, EN ISO 12945



## Hero

kvadrat



**Category C**

**Composition** 96% new wool, 4% nylon

**Weight** 580 g/lin.m

**Abrasion resistance** 45.000 Martindale rubs, EN ISO 12947

**Flammability** EN 1021-1/2 | DIN 4102 B2 | NF D 60 013  
UNI 9175 11M | US Cal. Bull. 117-2013 | NFPA 260  
IMO A.652 (16)

**Fastness to light** Note 5-6, ISO 105-B02

**Fastness to rubbing** (ISO) dry 4-5, wet 4-5

**Pilling** Note 3-4, EN ISO 12945



## Tonus 4

kvadrat



**Category D**

**Composition** 90% new wool, 10% Helanca

**Weight** 665 g/lin.m

**Abrasion resistance** 100.000 Martindale rubs, EN ISO 12947

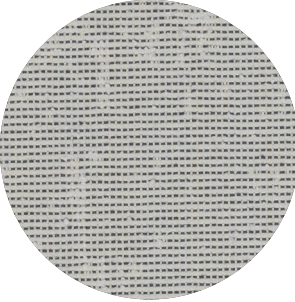
**Flammability** EN 1021-1/2 | BS 5852 part 1 | DIN 4102 B2  
Önorm B1/Q1 | NF D 60 013 | UNI 9175 11M  
US Cal. Bull. 117-2013 | NFPA 260 | IMO A.652 (16)

**Fastness to light** Note 5-7, ISO 105-B02

**Fastness to rubbing** (ISO) dry 3-5, wet 3-5

**Pilling** Note 3, EN ISO 12945





**Category** E

**Composition** 100% Trevira CS

**Weight** 700 g/lin.m

**Abrasion resistance**

35.000 rubs acc. to the Martindale method, EN ISO 12947

**Flammability** EN 1021-1/2 | DIN 4102 B1 | Önorm B1/Q1  
NF D 60 013 | NF P 92 507 M1 | UNI 9175 11M  
UNI 9177 classe 1 | US Cal. Tech. Bull. 117  
IMO A.652 (16)

**Fastness to light** Note 5-8, ISO 105-B02

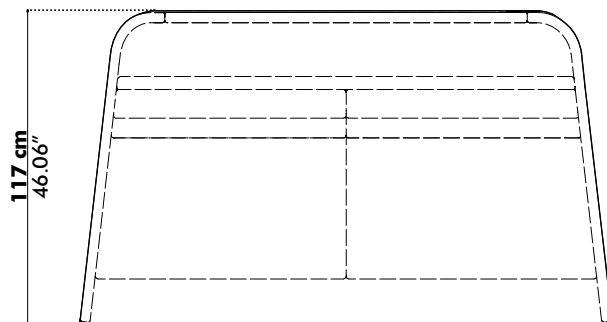
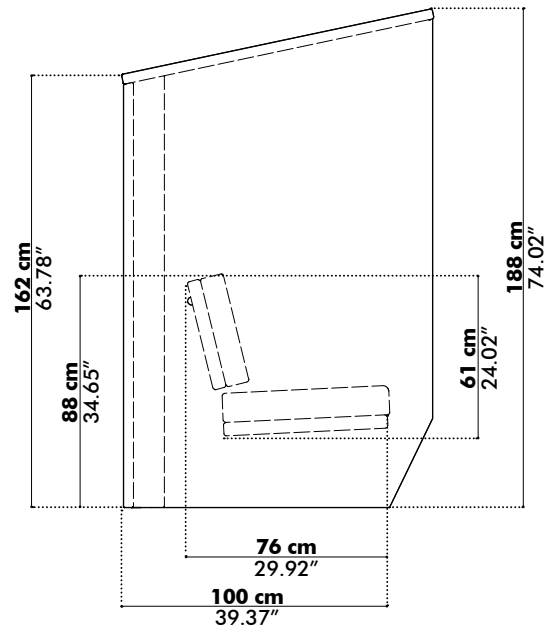
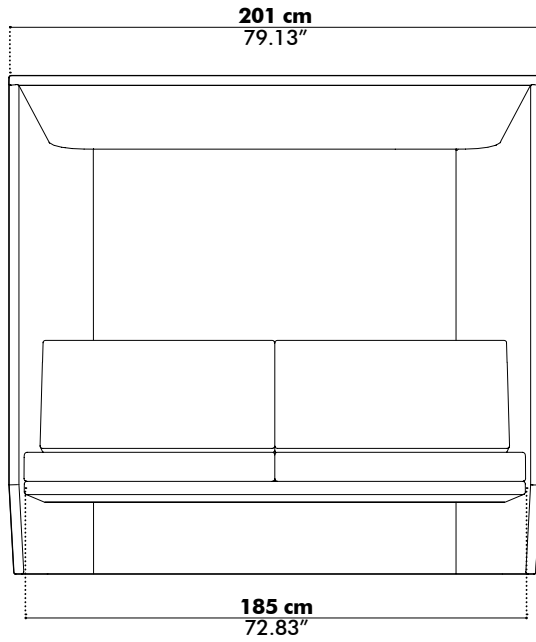
**Fastness to rubbing** (ISO) dry 4-5, wet 4-5

**Pilling** Note 4, EN ISO 12945

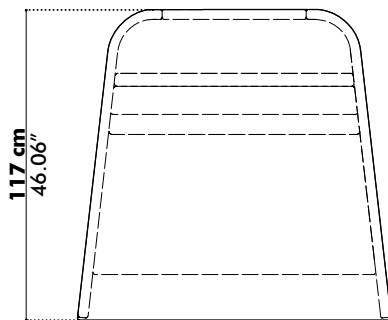
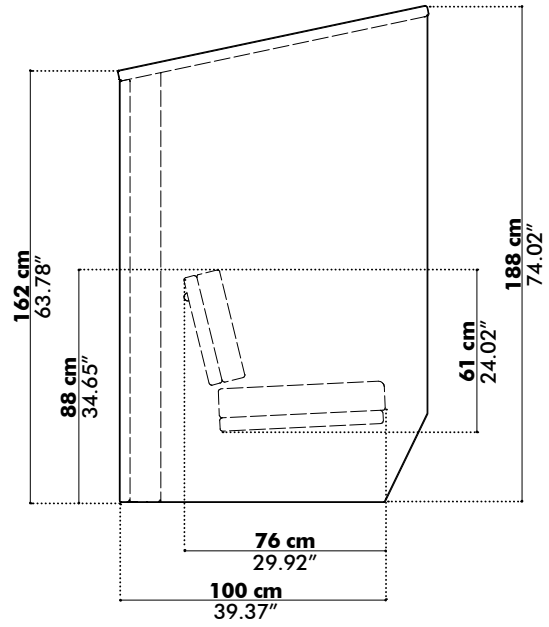
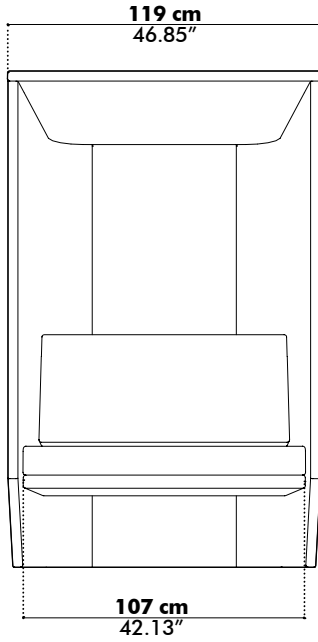


# Dimensions

## BuzziHub

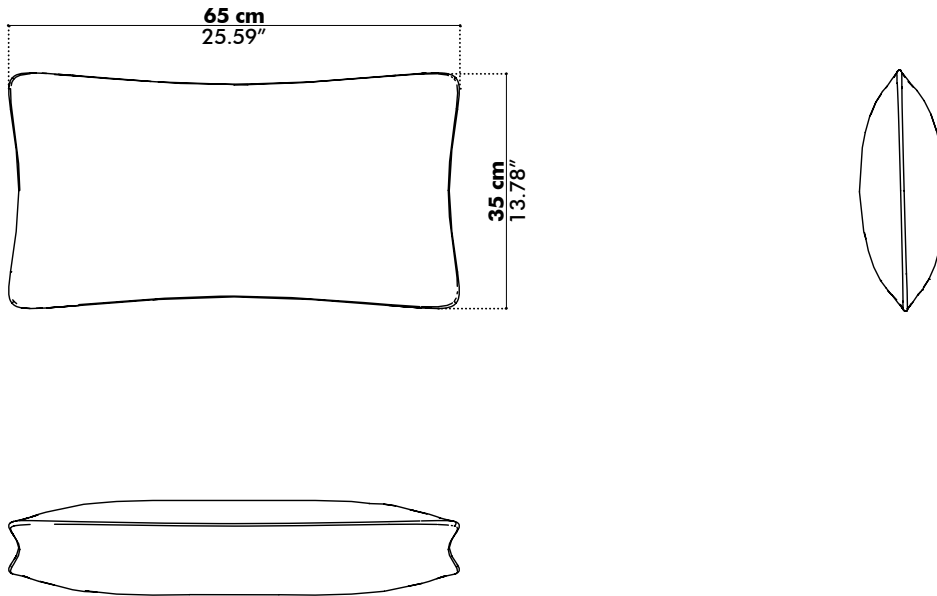


# BuzziHub Single



---

## BuzziHub Cushion (optional)



---

## BuzziHub armrest (optional)

